



Figure 1. Physical Photo of ATLS100MA116D

FEATURES

- Wide input voltage range: 6.5V~16V
- Wide output voltage range: 1.5V~ $V_{VPS}-2V$
- Ultra low noise: 300nA_{p-p} @0.1Hz to 10Hz
- Maximum output current without heat sink: 100mA
- High absolute accuracy: $\pm 0.1\%$
- High stability: <15ppm/°C
- Programmable current limit
- Complete shielding
- Compact size
- 100 % Lead (Pb)-free and RoHS compliant

APPLICATIONS

Driving laser diodes with low noise, including DPSSL, EDFA, SOA, fiber laser, direct diode lasers, etc.

DESCRIPTION

The ATLS100MA116D is an electronic module designed for driving diode lasers with up to 100mA low noise current. Figure 1 shows a physical photo of ATLS100MA116D. The output voltage is 1.5V to 14V when powered by a 16V power supply.

When the maximum power consumed by the controller is maintained to <1W, it does not require a heat sink to operate.

The controller has a temperature compensation network so that the output current remains the same even as the controller temperature rises.

In case the controller temperature exceeds the preset limit of 120°C, the controller will shut down by itself to prevent the controller from being damaged by the excessive heat.

The output current of the ATLS100MA116D can be set by an input voltage linearly or modulated by an external large signal of up to 1MHz in bandwidth, resulting in a minimum 170ns rise and fall time (Large signal) at the output current.

A highly stable low noise 2.5V reference voltage is provided internally for setting the output current. This reference can also be used as the voltage reference for external ADCs (Analog to Digital Converters) and/or DACs (Digital to Analog Converters) which are utilized for converting the analog signals, such as LIO which represents the output current, into digital signals, and/or converting the digital signals into analog ones for setting the analog voltages, such as LIS which sets the output current.

The ATLS100MA116D is packaged in a 6-sided metal enclosure, which blocks EMIs (Electro-Magnetic Interferences) to prevent the controller and other electronics from interfering each other.

Warning: Both the surface mount and the through-hole types of modules can only be soldered manually on the board by a solder iron of < 310°C (590°F), and must not go through a reflow oven process.

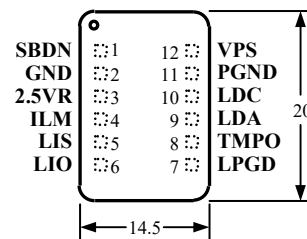


Figure 2. Pin Names and Locations

Pin-to-Pin Compatible with ATLSxA116D Laser Controllers. Figure 2 is the actual size and top view of the ATLS100MA116D, which shows the pin names and locations. Its thickness is 5mm. Table 1 shows the pin function descriptions.



Table 1. Pin Function Descriptions

Pin #	Pin Name	Pin Type	Description
1	SBDN	Digital input	This is a duplex pin: when it is pulled down <0.4V, the controller is put to Shut-down Mode; when setting this pin to between 1.2V to 2.1V, the controller is set to Stand-by Mode; when setting it to >2.1V to VPS voltage, the controller goes to On Mode. There is an internal 20MΩ pull up resistor tied to VPS.
2	GND	Signal ground	Signal ground pin. Connect ADC and DAC grounds to here.
3	2.5VR	Analog output	2.5V reference voltage. It is used by the internal DACs as the reference voltage. It can source 3mA max, with 5μV _{P-P} noise @ 0.1Hz to 10Hz and 25ppm/°C stability max.
4	ILM	Analog input	Laser current limit set. 0V to 2.5V sets the laser current limit from 0 to 100mA linearly.
5	LIS	Analog input	Laser current set. 0V to 2.5V sets the laser current from 0 to 100mA linearly.
6	LIO	Analog output	Laser current output indication. 0V to 2.5V indicates the laser current from 0A to 100mA linearly.
7	LPGD	Digital output	Loop good indication. When the controller is working properly, this pin is pulled high. Otherwise, it is pulled low.
8	TMPO	Analog output	The driver internal temperature indication output. Operating internal temperature.
9	LDA	Analog output	Laser diode anode. Connect it to the anode of the laser diode. This pin is used to drive a laser of which the cathode is connected to the case and the case is connected to the ground. Make sure V _{LDA} >1.5V. See below Figure 4 or Figure 6.
10	LDC	Power ground	Laser diode cathode. Only connect to the cathode of the laser diode. See below Figure 4 or Figure 6.
11	PGND	Power ground	Power ground pin. Connect it directly to power supply return rail.
12	VPS	Power input	Power supply. The driver works from 4.5V to 16V.

SPECIFICATIONS

Table 2. Characteristics (T_A = 25°C)

Parameter	Value	Unit/Note
Maximum output current	100	mA
Output current noise (0.1Hz to 10Hz)	≤300	nA _{P-P}
Current set voltage range	0 ~ 2.5	V
Current limit set voltage range	0 ~ 2.5	V
Minimum drop out voltage	0.38V@V _{VPS} = 3.1V	V
	0.39V@V _{VPS} = 5.5V	
Power supply voltage range	6.5 ~ 15	V
Operating case temperature	-40 ~ 85	°C
Bandwidth of small signal	1	MHz
Rise and fall times of small signal	170	nS

OPERATION PRINCIPLE

The block diagram of the controller is shown in Figure 3.

The shut down control circuit is activated under one of these 3 circumstances: external shut down, output current exceeds the current limit, and the internal temperature exceeds 120°C.

When the controller is shut down by the external shutdown signal, it will restart upon detecting the releasing of the shutdown signal.

When it is shut down by the over current limit, the controller shuts down itself and restarts again by going through the soft-start process immediately. Therefore, the output current has a saw-tooth waveform: quick shut down, slow and ramp up.

When the controller is shut down by the over temperature, it will wait till the temperature goes below the temperature limit of 120°C. Usually it takes more than a few seconds for the controller to cool down before it restarts itself, depending on the thermal mass of the controller and its surrounding mechanical parts attached thermally, such as the PCB and its traces, the heat-sinks if any, etc. When controller is shut down, the voltage reference is also shut down.

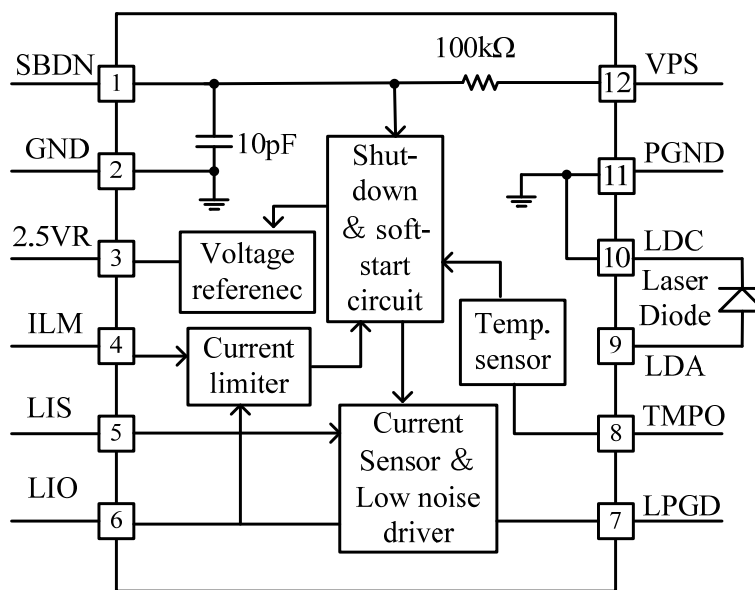


Figure 3. Block Diagram

Note: The Pin 7, LPGD, is pulled down by an open drain MOSFET and pulled up by a 10k resistor tied to 5V rail.

APPLICATIONS

Figure 4 show a typical application circuit. W1 and W2 set the output current limit and output current respectively. Resistor R1 and capacitor C1 form a low pass filter, to lower the noise from the voltage reference.

Laser diode D1 is connected between LDA and LDC. It is worth mentioning that the power supply return terminal should be connected to the pin 11 PGND and the cathode of the laser diode should be connected to the pin 10 LDC. These 2 nodes should not be connected together externally because they are connected together internally already by the controller.

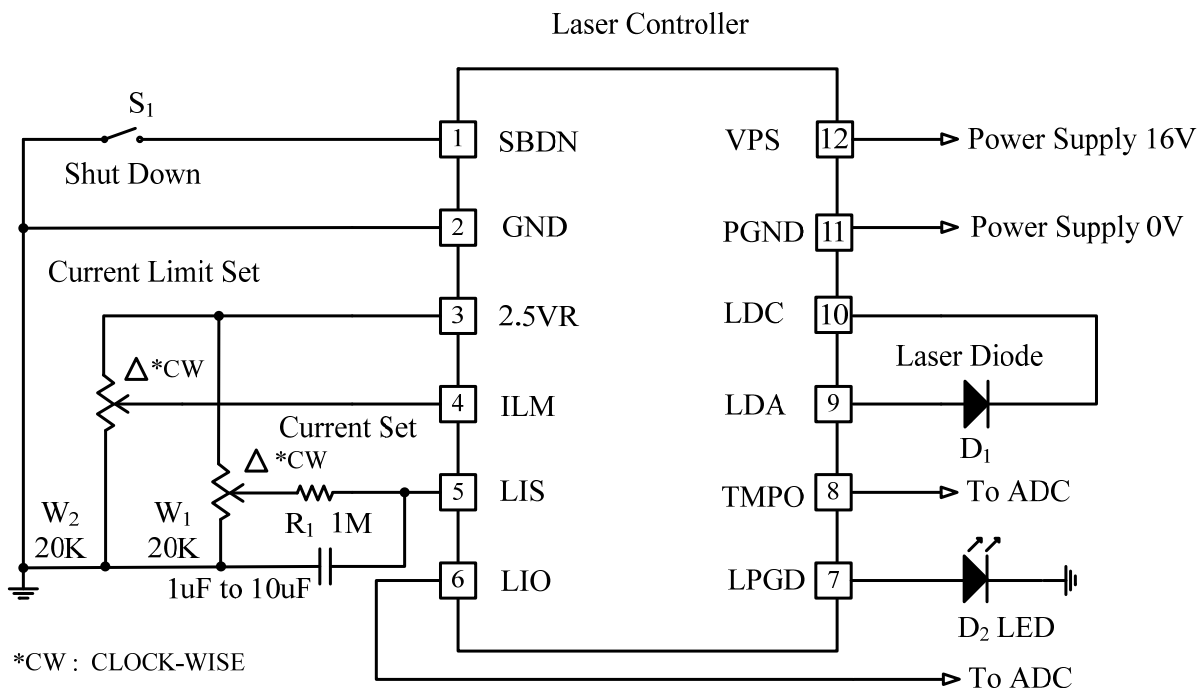


Figure 4. Typical Stand-alone CW Operation Schematic for ATLS100MA116D



Turning the Controller On and Off

The controller can be turned on and off by setting the SBDN pin high or low respectively. It is recommended to turn the controller on by this sequence:

To turn on: For ATLS100MA116D, turn on the power by providing the power supply voltage to the controller, turn on the controller by releasing the SBDN pin. For ATLS100MA116, turn on the power by providing the power supply voltage to the controller, turn on the controller by connecting the SBDN pin to VPS.

To turn off: Turn off the controller by lowering the voltage of SBDN pin, turn off the power by stopping the voltage supply on the VPS pin.

In Figure 4, S1 is the shut down switch. For ATLS100MA116D, the internal equivalent input circuit of SDN pin is a pull-up resistor of 20MΩ being connected to VPS in parallel with a 10pF capacitor to the ground. The switch S1 can also be an electronic switch, such as an I/O pin of a micro-controller, with either an open drain or push/pull output. If not using a switch (S1) to control the laser, leave the SBDN pin unconnected. D2 is an LED, indicating when the control loop works properly, that is: the output current equals to the input set value. Pin LPGD has an internal pull up resistor of 5k to the power supply pin, VPS, pin 10. The pull-down resistance is 200Ω. This 5k resistor can drive a high efficiency LED directly. When higher pull up current is needed for driving such as a higher current LED, an external resistor can be placed between the VPS and the LPGD pins. Make sure that the resistor is not too small that the pull-down resistor will not be able to pull the pin low enough when the controller loop is not good. When choosing not to use an LED for indicating the working status, leave the LPGD pin unconnected.

The LPGD pin can also be connected to a digital input pin of a micro-controller, when software/firmware is utilized in the system.

Setting the Output Current

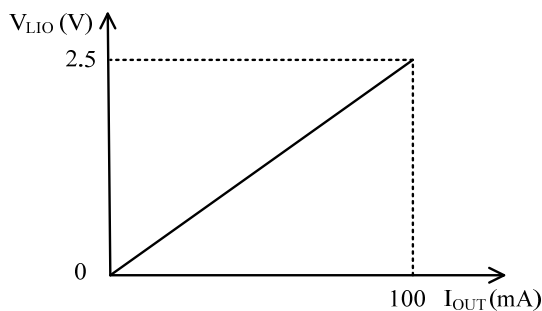


Figure 5. V_{LIO} & I_{OUT}

Figure 5 shows the relationship between V_{LIO} and the output current. When V_{LIO} is 0.1V, the laser driver starts to output the current, 4mA. The condition is $V_{LDA} > 1.5V$.

The output current limit is set by adjusting W1, which sets

input voltages of LILM, pin 4. The output current limit will be:

$$I_{OUT} (A) = V_{LILM} (V) / 2.5 (V).$$

LILM should never be left float. Otherwise, the output current limit may be set to too high a value that the laser might be damaged by an excessive current.

The output current is set by adjusting W2, which sets input voltages of LIS, pin 5. The output current will be:

$$I_{OUT} (A) = V_{LIS} (V) / 2.5 (V).$$

When no modulation is needed, it is suggested to use an RC low-pass-filter, the R1 and C1 in Figure 4.1, to lower the AC noise from the voltage reference source. The time constant of this filter can be between a few to 10's of seconds. The larger the time constant, the lower the output noise, but the longer time will be needed to wait for the output current to go up.

Both of LILM and LIS can be configured by using DACs, to replace the W1 and W2 in Figure 4.1. Make sure that the DACs have low output noise, or, if no modulation is needed, an RC low pass filter can be inserted between the DAC and the LIS pin, similar as shown in Figure 4.1, to reduce the output current noise caused by the DAC's noise.

The LIS allows modulating the output current by a large signal of up to 1MHz in bandwidth. That is, when using a sine wave signal to modulate the LIS pin, the modulated AC component in the output current will be attenuated by 3dB in magnitude, or 0.71 times of the full response magnitude. When using an ideal square-wave to modulate the output current at the LIS pin, the rise and fall time of the output current will be about 170ns (Large signal).

When the modulation signal is a square-wave and low output noise is required, the low-pass-filter can still be used for lowering the output noise. Figure 6 shows such a circuit. A digital signal is applied to the control input of an analog switch. As the control signal is at logic low, the switch is placed to NC (Normally Closed) pin, the voltage V_{LISL} is applied to the LIS pin of the controller. The output current is now set by the V_{LISL} voltage which is determined by the ratio of R2 and R3 by this formula:

$$V_{LISL} = 2.5V \times R3 / (R2 + R3).$$

Make sure to set the LISL voltage low enough so that the output current set by this voltage is lower than the laser's threshold current, thus, there is no laser beam emitted under this current. As the digital control signal is at logic high, the analog switch is placed to the NO (Normally Open) pin, the output current is now set by the V_{LISH} voltage, which is determined by the W2. The reason to modulate the laser current in the non-zero valley current way is to avoid current distortions at the output and increase output modulation speed. The detail explanation is given in the next section.

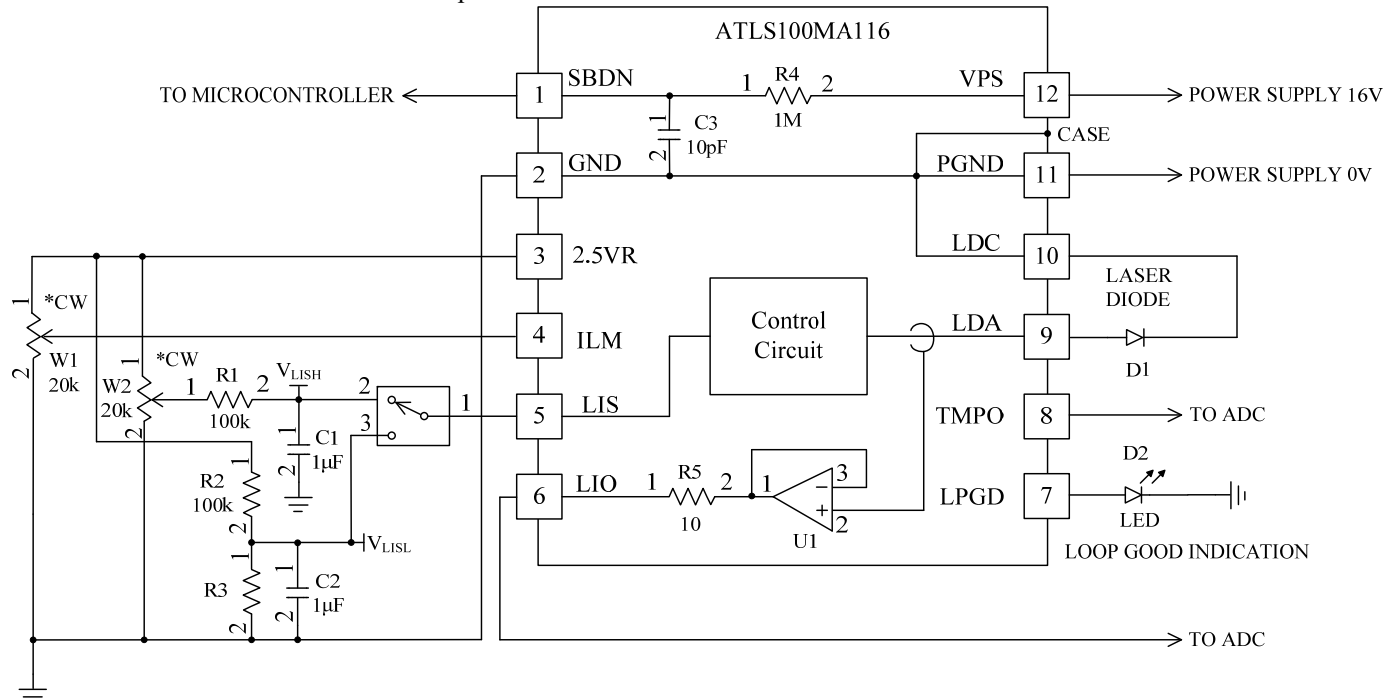
It is recommended not to set the LIS pin to 0V but keep it $> 0.05V$ all the time. The reason is that the laser diode usually has a junction voltage of 2.5V, when setting the LIS pin



voltage to 0V, the output voltage will warble between 0V and 2.5V, causing oscillations slightly.

the LIS is modulated. The bandwidth of the LIO signal is >10MHz, more than enough for monitoring output current modulated by the LIS signal.

The LIO can still be used to monitor the output current when



*CW : CLOCK-WISE

Figure 6. Low Noise Digital Modulation Circuit

Note:

- V_{VPS} : the power supply voltage on VPS pin
- V_{LDAMAX} : the maximum output voltage of LDA pin
- V_{LD} : the forward voltage of the laser diode
- V_{LDH} : the highest forward voltage of the laser diode on the modulation
- V_{LDL} : the lowest voltage of the laser diode on the modulation
- V_{LIOH} : the highest voltage of LIO pin
- $V_{LIO L}$: the lowest voltage of LIO pin
- P_{OLD} : the optical output power of the laser diode
- P_{OLDH} : the highest optical output power of the laser diode on the modulation
- I_{LD} : the laser diode current
- I_{LDH} : the highest laser diode current on the modulation
- I_{LDL} : the lowest laser diode current on the modulation

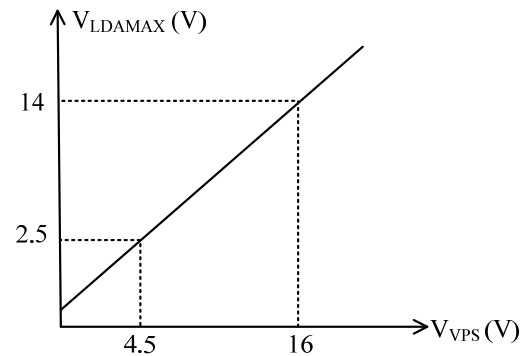


Figure 7. Power Supply Voltage V_{VPS} vs. LDA Pin Maximum Voltage V_{LDAMAX}

Maximum LDA Output Voltage vs. Power Supply Voltage

The maximum LDA pin output voltage is depending on the power supply input voltage, V_{VPS} . Their relationship is shown in Figure 7. Therefore, it is recommended that:

$$V_{VPS} \geq V_{LDAMAX} + 2V,$$

Where V_{LDAMAX} is the laser diode's maximum possible forward voltage at the operation current.



To Avoid Output Current Distortions

The laser diode's forward voltage and current has a non-linear relationship shown in Figure 8A and 8B. It can be seen that when the current is low, the voltage is uncertain, it can be between 0V to 1V or more. Thus, when setting the output current to zero, the output voltage will oscillate between 0V to about 1V or 1.5V, depending on the wavelength of the laser diode. If we set the lowest output current to a non-zero value, such as 1/10 of the laser's operating current but lower than the laser's threshold current, the laser's optical beam can still be cut-off, but the output voltage will not oscillate, thus the output current will not have distortions. The status of the LIO is similar to Figure 9 shown without output current distortions.

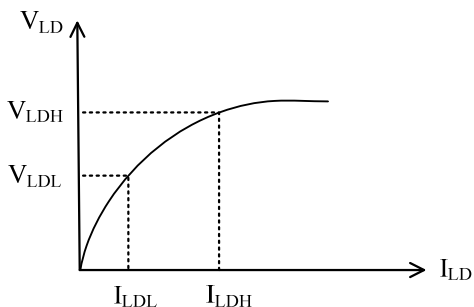


Figure 8A. Laser Diode Current I_LD vs. Laser Diode Voltage V_LD

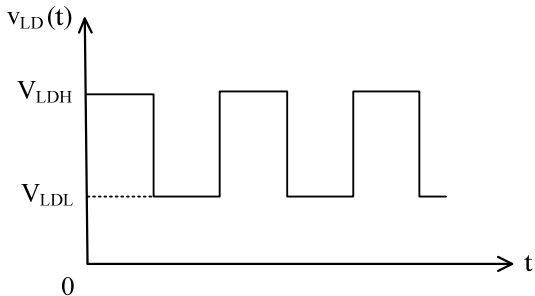


Figure 8B. Laser Diode Voltage v_LD(t) Waveform

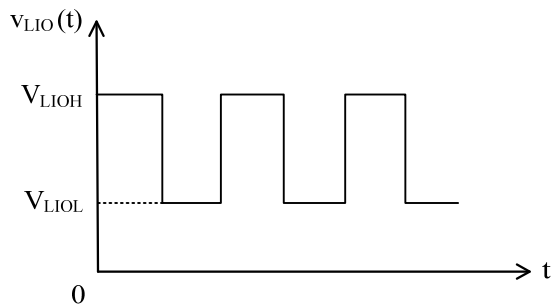


Figure 9. LIO Pin Voltage v_LIO(t) Waveform

The laser's threshold current is shown in Figure 10. It can be seen that when the laser's current falls below a certain value, there is no output optical power. For example, the operating current and threshold current of a red laser diode of 650nm are 30mA and 20mA respectively and the optical output power is 4mW. It will have no optical output power if the output current of this laser diode is lower than 20mA which is its threshold current. Figure 11 and Figure 12 describes the relationship between the I_LD and P_LD.

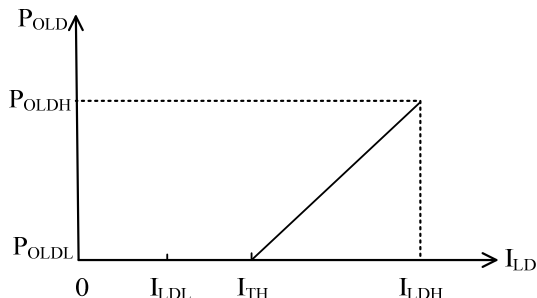


Figure 10. Laser Diode Current I_LD vs. Laser Diode Optical Power P_OLD

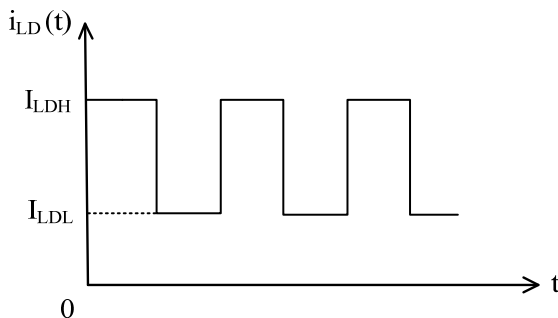


Figure 11. Laser Diode Current i_LD Waveform

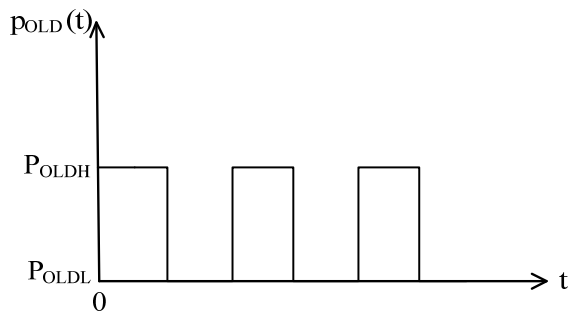


Figure 12. Laser Diode Optical Power p_OLD Waveform



Monitoring the Output Current

The output current of the controller can be monitored by measuring the voltage on the LIO pin. This feature is very useful for micro-controller-based system where the ADC is available and monitoring the current in real time is required. This pin provides a very low noise voltage signal which is proportional to the output current:

$$V_{LIO} (V) = I_{OUT} \times 25 (V).$$

For example, when the output signal equals to 2.5V, the output current is 0.1A.

The output impedance of this pin is 10Ω and it can be used to drive an ADC directly.

It can also be measured by a multimeter during debugging process.

Figure 13 below shows the relations among V_{LIS} , V_{LIMS} and i_{OUT}

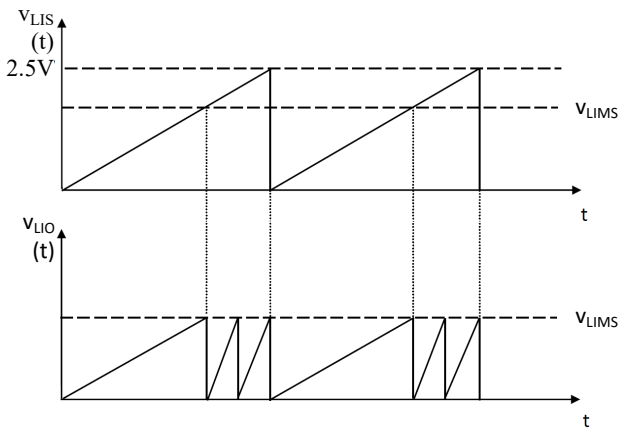


Figure 13. V_{LIS} & V_{LIO}

When $V_{LIS} \leq V_{LIMS}$, i_{OUT} changes with V_{LIS} linearly; when $V_{LIS} > V_{LIMS}$, i_{OUT} oscillates between 0 and V_{LIMS} .

Monitoring the Controller Internal Temperature

The controller internal temperature can be monitored by measuring the TMPO pin voltage.

This formula can be approximated by a linear equation:

$$V_{TMPO} = 0.5 + T/25^\circ \quad (1)$$

Within the most commonly used temperature range of between 0°C to 100°C, the approximated data obtained by using the linear equation (1), The curves of the 2 sets of the data are plotted in Figure 18.

Please notice that the TMPO pin has a weak driving capability: the maximum sourcing current is 1μA and the maximum sinking current is 40μA.

The TMPO pin can also be used as an input control pin: when forcing the TMPO voltage to above 4V, the laser controller will be shutdown.

First Time Power Up

A laser is highly valuable and vulnerable device. Faults in connections and damages done to the controller during soldering process may damage the laser permanently.

To protect the laser, it is highly recommended to use 3 to 4 regular diodes of >500mA to form a “dummy laser” and insert it in place of the real laser diode, when powering up the controller for the first time. Use an oscilloscope to monitor the LDA voltage at times of power-up and power-down, make sure that there is no over-shoot in voltage. At the same time, use an ammeter in series with the dummy laser, to make sure that the output current is correct.

After thorough checking free of faults, disconnect the dummy laser and connect the real laser in place.

Controller Power Consumption

The power consumption of the controller can be calculated by:

$$P_{DRIVER} = I_{OUT} \times (V_{VPS} - V_{LDA}),$$

where I_{OUT} is the output current;

V_{VPS} is the power supply voltage;

V_{LDA} is the voltage across the laser diode.

When the P_{DRIVER} exceeds 1W, a heat sink might be needed. The best way for arranging the heat sinking for the driver is as follows: transferring the heat by sandwiching a piece of thermal conductive pad between the top metal surface of the laser driver and the internal metal surface of the final product as shown in Figure 14.1 and 14.2 below. The recommended thickness of the thermal conductive pad in Figure 14.1 is 1~4mm, and in Figure 14.2 is 0.5mm. ATI also provides a series of thermal conductive pads, click [here](#) for more information.

If you prefer not to use the heat sink, this is an option: lowering the controller power consumption by reducing the power supply voltage V_{VPS} . Please make sure:

$$V_{VPS} \geq V_{LDAMAX} + 1.5V,$$

where V_{LDAMAX} is the maximum possible laser diode voltage.

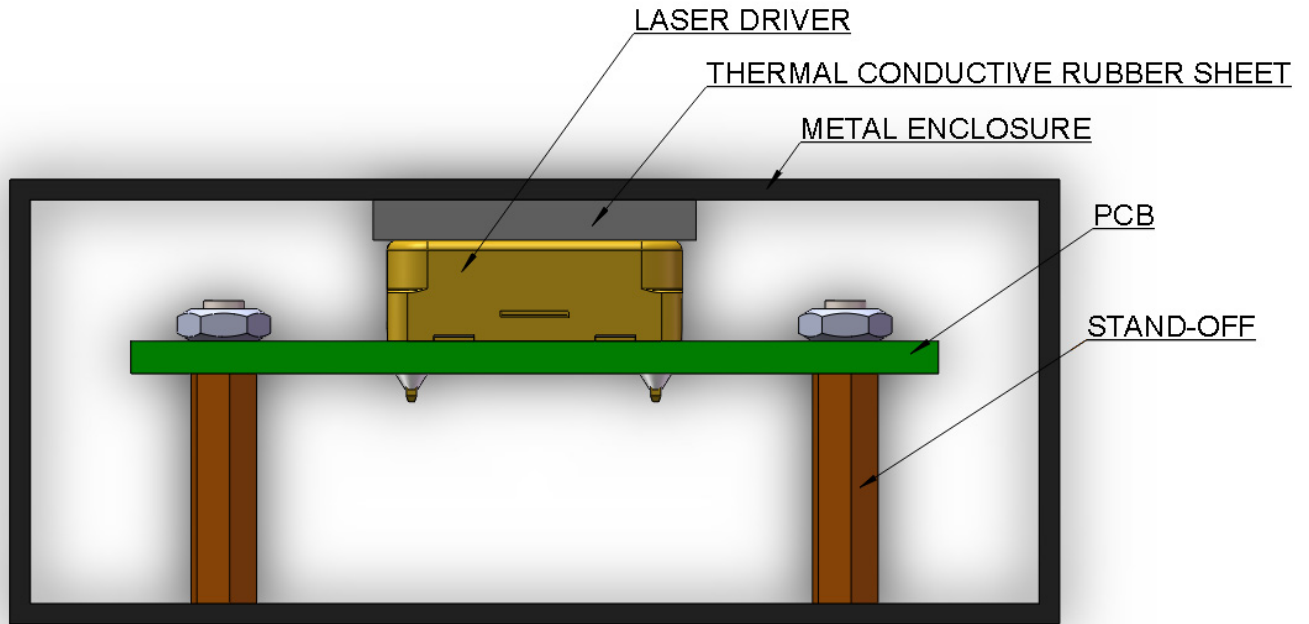


Figure 14.1 Transferring Heat with Metal Enclosure

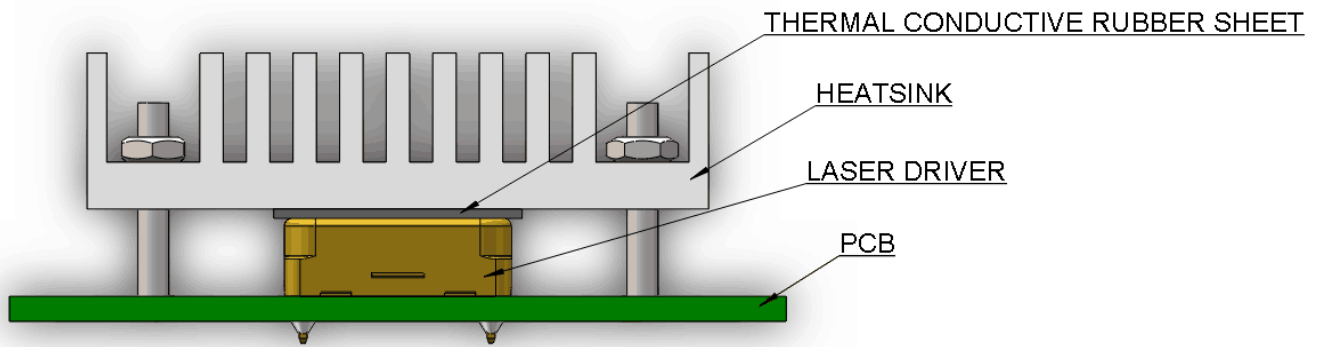


Figure 14.2 Transferring Heat with Heat Sink

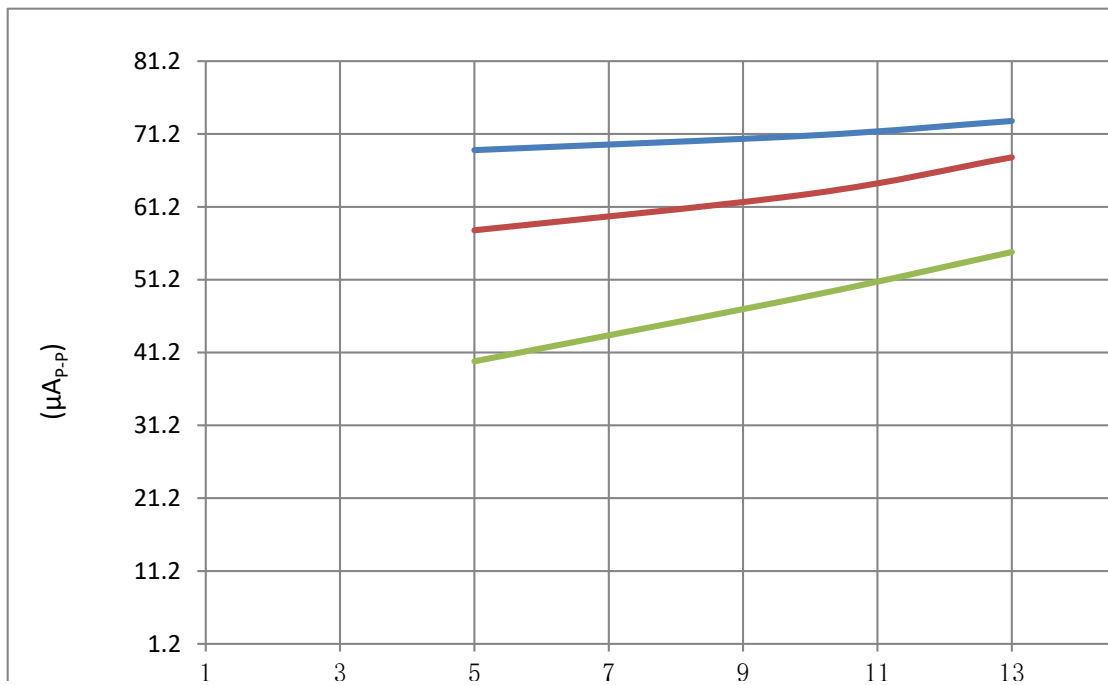


Figure 15. V_{LDA} vs. Output Current Noise@0.1Hz~10Hz

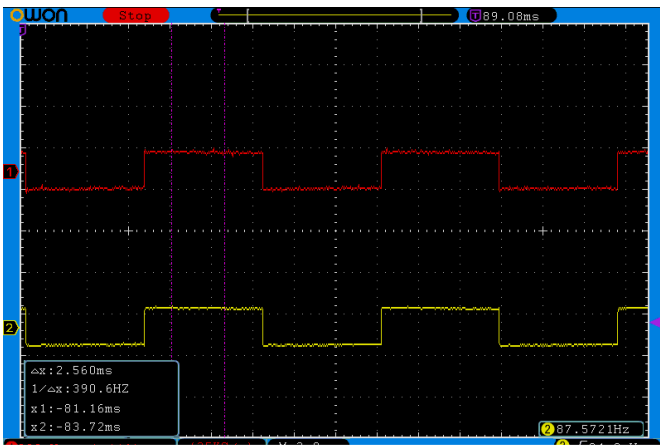


Figure 16. Small Signal Modulation

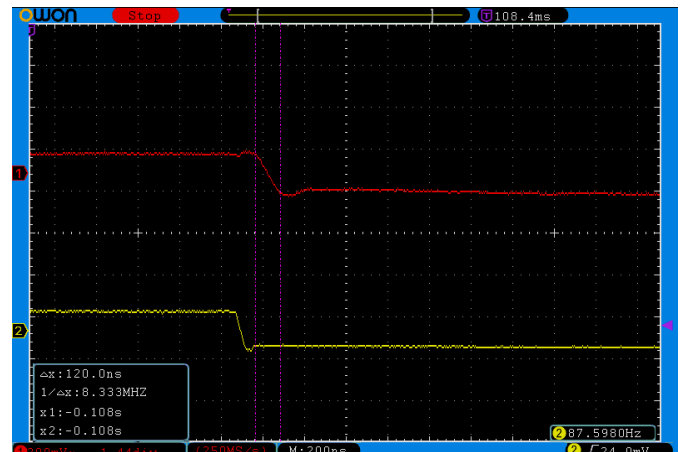


Figure 16.2. The Fall Signal Modulation

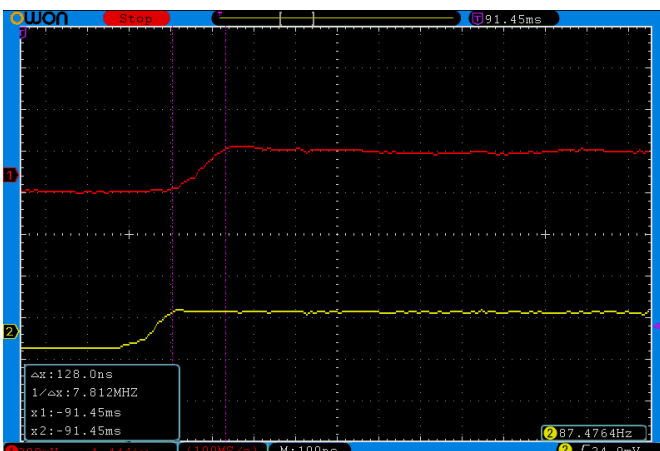


Figure 16.1. The Rise Signal Modulation

As shown in Figure 16, 16.1 and 16.2, when a square wave of -100mV ~ +100mV, f= 100Hz, is applied to LIS, measure the waveform of LIO. The rise time should be about 120ns, and the fall time should be about 120ns.

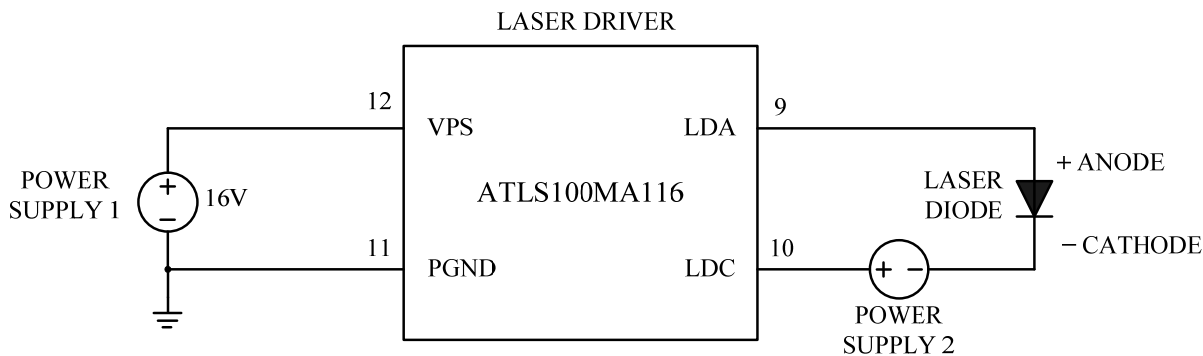


Figure 17. Driving High Voltage Laser Diodes

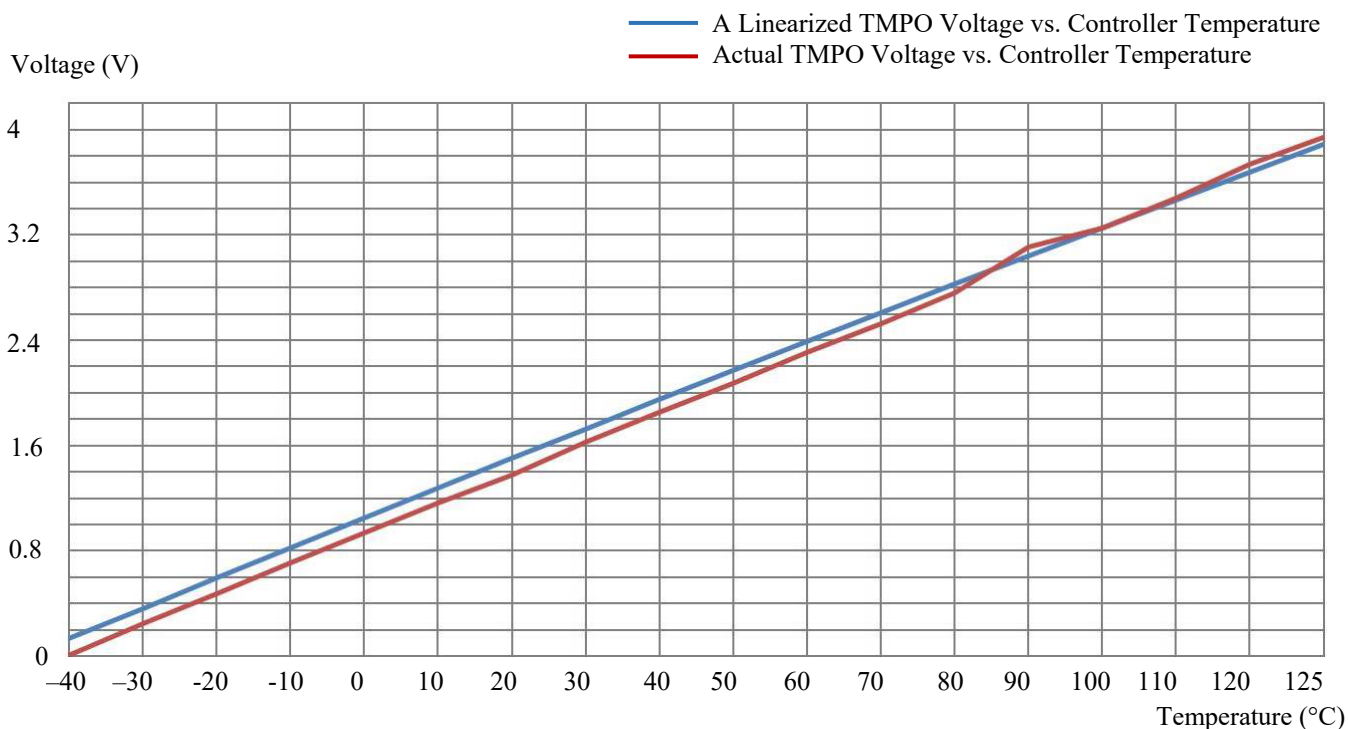


Figure 18. Controller Internal Temperature vs. TMPO Voltage

Driving High Voltage Laser Diodes

Some laser diodes have high forward voltage, such as 7V, while the laser driver ATLS100MA116D has a maximum output voltage of 4V. This section tells you how to drive such laser diodes using this laser driver.

The schematic is shown in Figure 17, where Power Supply 1 is the power supply for the laser driver, Power Supply 2 is for increasing the laser driver's maximum output voltage.

Please notice that the power on sequence has to be in this way: turn on Power Supply 1, turn on Power Supply 2, then

turn on the laser driver by driving SDN (Shutdown) pin to logic high.

The sequence for turning off the laser circuit is: turn off the SDN pin by pulling it down to the logic low, turn off Power Supply 1, and then turn off power supply 2.

To make sure the circuit works ok: turn on the laser, measure LDA voltage, it should be between 1V to 3V, at room temperature, the ideal LDA voltage is around 2V.



MECHANICAL DIMENSIONS AND MOUNTING

The ATLS100MA116D comes in DIP (Dual Inline package) or D (short for DIP) package. See below Figure 19.

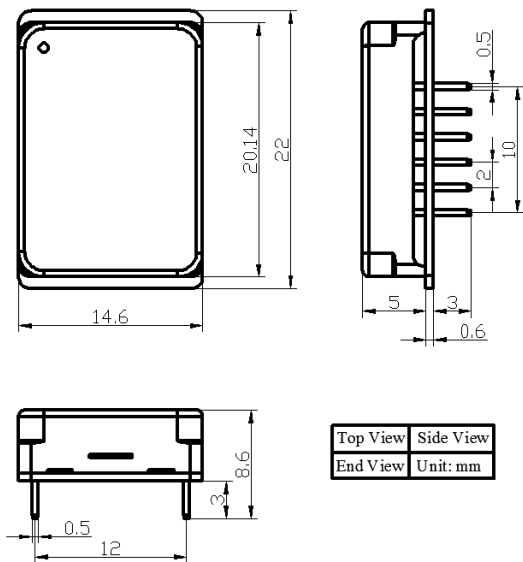


Figure 19. Dimensions of the DIP Package Controller

Figure 20 shows the foot print which is seen from the top side of the PCB; therefore, it is a “see through” view.

Figure 21 shows the view of the bottom side PCB footprint.

“Tent” (i.e. cover the entire via by the solder mask layer) all the vias under the controller, otherwise, the vias can be shorted by the bottom plate of the controller which is internally connected the ground.

Please notice that in the recommended foot print for the DIP package, the holes for pin 2 to 6, and 8 to 12 have larger holes than needed for the pins. This arrangement will make it easier for removing the controller from the PCB, in case there is a rework needed. The two smaller holes, for pin 1 and 7, will hold the controller in the right position.

It is also recommended to use large copper fills for VPS, PGND, and the LDC pins, and other pins if possible, to decrease the thermal resistance between the module and the supporting PCB, to lower the module temperature.

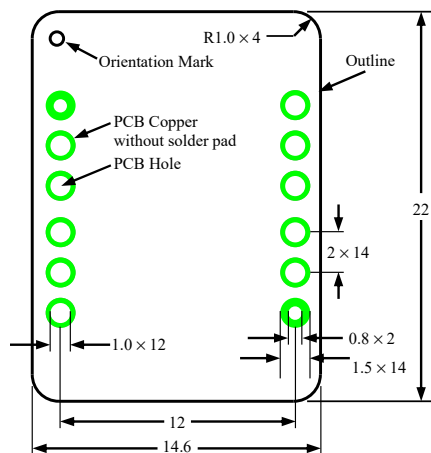


Figure 20. Top Side PCB Footprint for the DIP Package

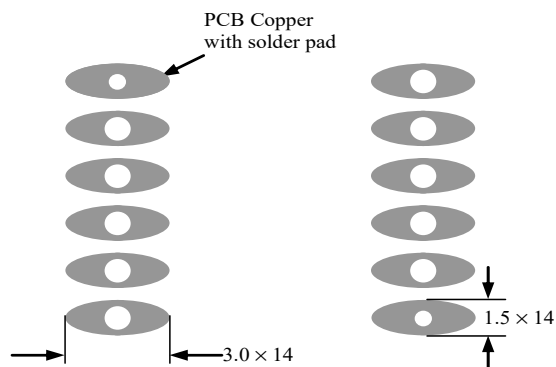


Figure 21. Top View of the Bottom Side PCB Footprint



ORDERING INFORMATION

Table 3. Part Number

Part #	Description
ATLS100MA116D	Controller in DIP package

Warning: Both the surface mount and the through-hole types of modules can only be soldered manually on the board by a solder iron of < 310°C (590°F), and must not go through a reflow oven process.

NOTE: The power supply may have an overshoot, when that happens, it may exceed the maximum allowed input voltage, 16V, of the controller and damage the controller permanently. To avoid this from happening, do the following:

1. Connect the controller securely to the power supply before turning on the power.
2. Make sure that the power supply has sufficient output current. It is suggested that the power supply can supply 1.2 to 1.5 times the maximum current the controller requires.
3. When using a bench top power supply, set the current limit to >1.5 times higher than the maximum current the controller requires.

NOTICE

1. ATI warrants performance of its products for one year to the specifications applicable at the time of sale, except for those damaged by excessive abuse. Products found not meeting the specifications within one year from the date of sale can be exchanged free of charge.
2. ATI reserves the right to make changes to its products or to discontinue any product or service without notice and advise customers to obtain the latest version of relevant information to verify, before placing orders, that information being relied on is current and complete.
3. All products are sold subject to the terms and conditions of sale supplied at the time of order acknowledgment, including those pertaining to warranty, patent infringement, and limitation of liability. Testing and other quality control techniques are utilized to the extent ATI deems necessary to support this warranty. Specific testing of all parameters of each device is not necessarily performed, except those mandated by government requirements.
4. Customers are responsible for their applications using ATI components. In order to minimize risks associated with the customers' applications, adequate design and operating safeguards must be provided by the customers to minimize inherent or procedural hazards. ATI assumes no liability for applications assistance or customer product design.
5. ATI does not warrant or represent that any license, either expressed or implied, is granted under any patent right, copyright, mask work right, or other intellectual property right of ATI covering or relating to any combination, machine, or process in which such products or services might be or are used. ATI's publication of information regarding any third party's products or services does not constitute ATI's approval, warranty or endorsement thereof.
6. IP (Intellectual Property) Ownership: ATI retains the ownership of full rights for special technologies and/or techniques embedded in its products, the designs for mechanics, optics, plus all modifications, improvements, and inventions made by ATI for its products and/or projects.